

COMBINATION BOX

FWLN SERIES

FEATURES

- Three-in-one (Location lamp, Manual fire alarm box, and Fire alarm bell)
- Compactly integrated design
- Surface and recess mountings available
- Easy installation

DESCRIPTION

The combination box consists of a location lamp, a manual fire alarm box, and a fire alarm bell, designed to integrate them compactly.

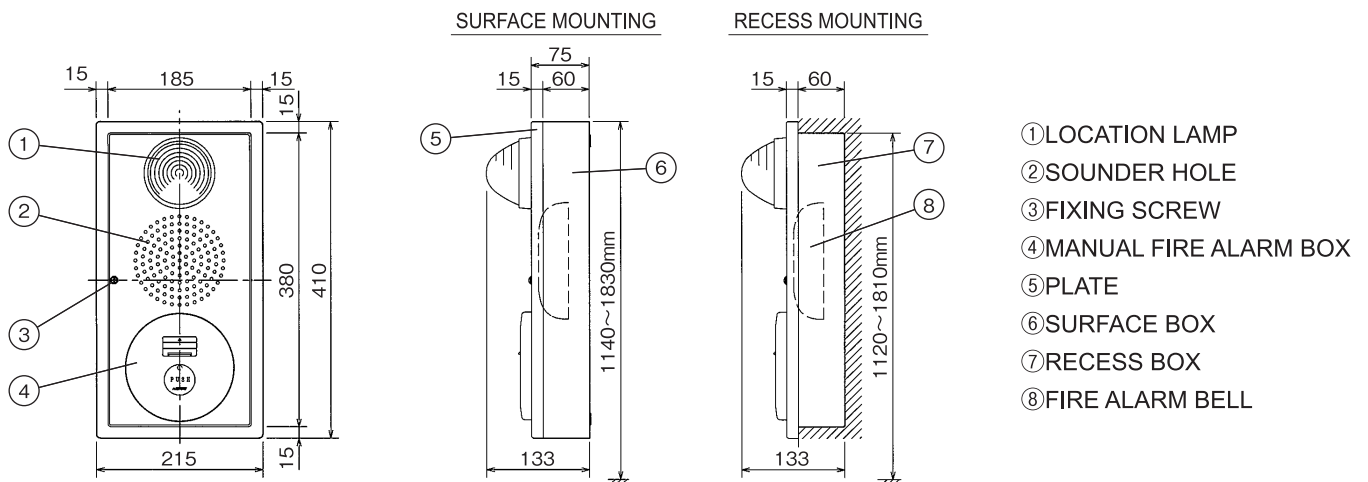
The recess mounting type requires only 60mm depth to install its recess mounting box, so that only 73mm depth of the product comes out from the wall. The surface mounting type comes out only 133mm depth from the wall.

Thanks to its physical structure, this three-in-one product is easy for wiring when installed.



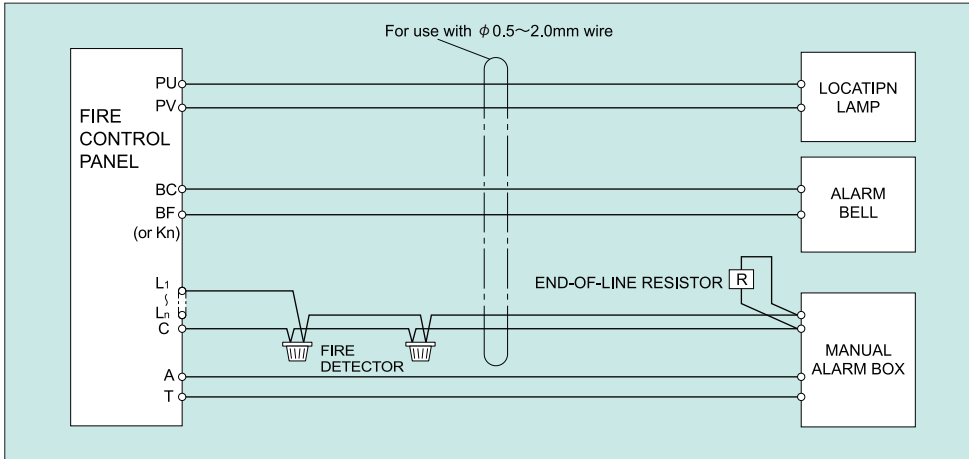
SPECIFICATIONS

MODEL NO. OF PLATE	ZBPN003-P1 with telephone jack / ZBPN003-P2 without telephone jack
MODEL NO. OF BOX	ZBRN003-T (FOR SURFACE MOUNTING TYPE) / ZBC-6T (FOR RECESS MOUNTING TYPE)
AMBIENT TEMPERATURE	-10 to 40°C
SOUND OUTPUT	>90 dB/1M
MAIN MATERIALS PLATE & SURFACE BOX RECESS BOX	STEEL SHEET 1.2mm STEEL SHEET 1.6mm
FINISH PLATE & SURFACE BOX RECESS BOX	BAKING FINISH MUNSELL N8.7 OR EQUIVALENT SEMI-GLOSS BLACK PAINTING
CONTAINED DEVICES MANUAL FIRE ALARM BOX LOCATION LAMP FIRE ALARM BELL	FMM SERIES (P-1, P-2 TYPE) FLPJ SERIES (LED 24V, 15mA) FBM SERIES (DC24V 10mA)



NOHMI BOSAI LTD.

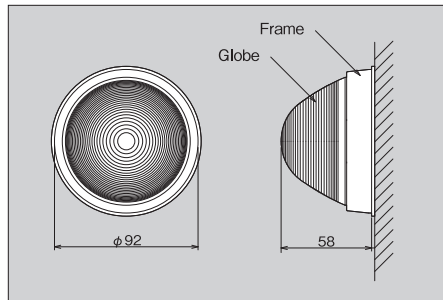
TYPICAL WIRING DIAGRAM



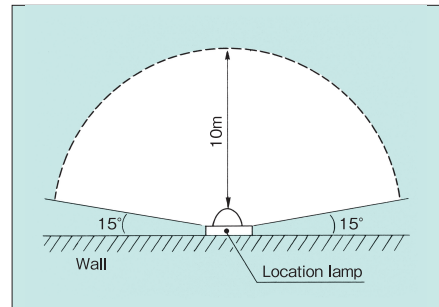
LOCATION LAMP FLPJ SERIES



DIMENSIONS



PERFORMANCE

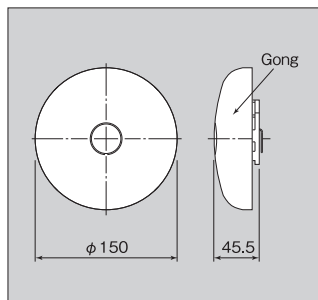


The location lamp has a high luminance with which the light from the lamp can be clearly visible at a position 10m apart from the location lamp along with a direction of an angle of 15° or more from the mounting surface.

FIRE ALARM BELL FBM SERIES



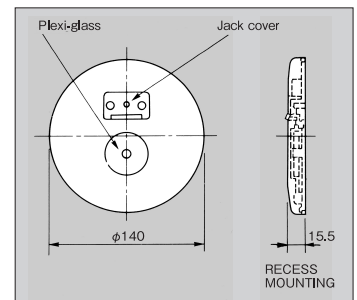
DIMENSIONS



MANUAL FIRE ALARM BOX FMM SERIES



DIMENSIONS



- The information contained herein does not purport to cover all the details or variations of the equipment described, nor to provide for every possible contingency that may be met in connection with its installation, operation or maintenance.
- Specifications are subject to change without notice. Contact Nohmi before relying on the information.
- Actual performance is based on proper application of the product by a qualified professional.
- Should further information be required or should particular concerns arise that are not covered sufficiently for the purchaser's purposes, the matter should be referred to Nohmi or your nearest distributor.

NOHMI

NOHMI BOSAI LTD.

●HEAD OFFICE : 7-3, Kudan Minami 4-chome,
Chiyoda-ku, Tokyo 102-8277, Japan

●PHONE : (81)3-3265-0231

●F A X : (81)3-3265-5348

●U R L : <http://www.nohmi.co.jp/english/>